

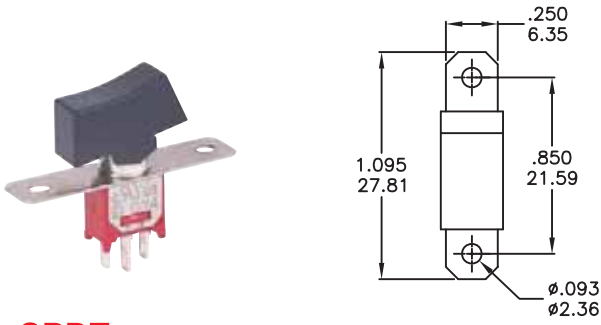
SWITCH FUNCTION

NO. POLES	UL/CSA MODEL NO.	MODEL NO.	SWITCH FUNCTION			CONNECTED TERMINALS / SCHEMATIC		
			POS.1	POS.2	POS.3	POS.1	POS.2	POS.3
SP	Q2411	4MS1	ON	NONE	ON	2-3	N/A	2-1
	Q2412	4MS2	ON	NONE	MOM			
	Q2413	4MS3	ON	OFF	ON		OPEN	
	Q2414	4MS4	MOM	OFF	MOM			
	Q2415	4MS5	ON	OFF	MOM	OPEN	N/A	3-1
	Q2416	4MS6	OFF	NONE	ON			
DP	Q2421	4MD1	ON	NONE	ON	2-3,5-6	N/A	2-1,5-4
	Q2422	4MD2	ON	NONE	MOM			
	Q2423	4MD3	ON	OFF	ON		OPEN	
	Q2426	4MD6	ON	ON	ON			

MOM=MOMENTARY

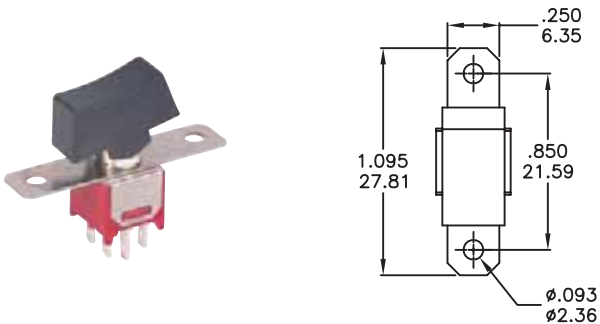
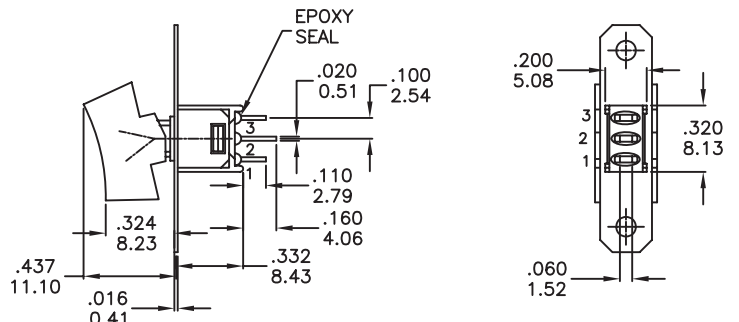
▲ Please check the availability in advance before order

POLE OPTIONS



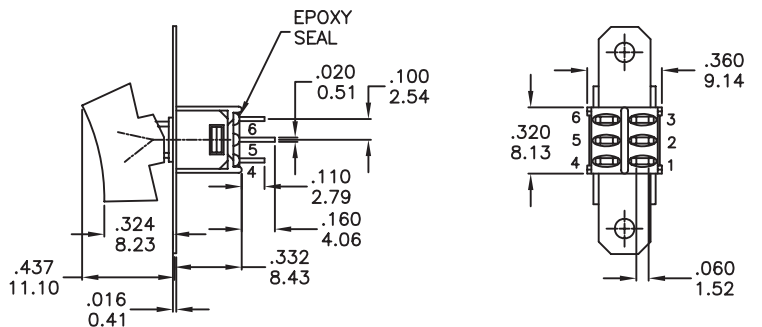
SPDT

Part No. Shown : 4MS1R12M1QE

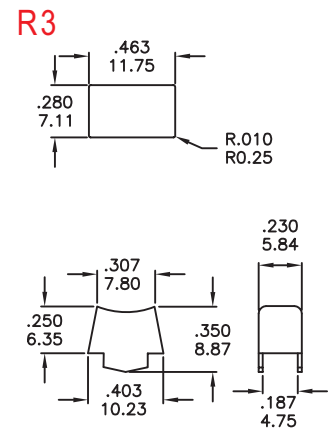
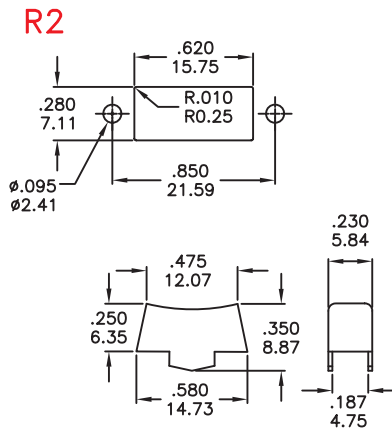
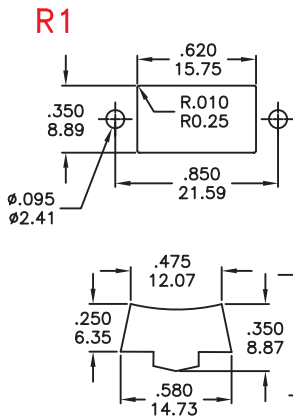


DPDT

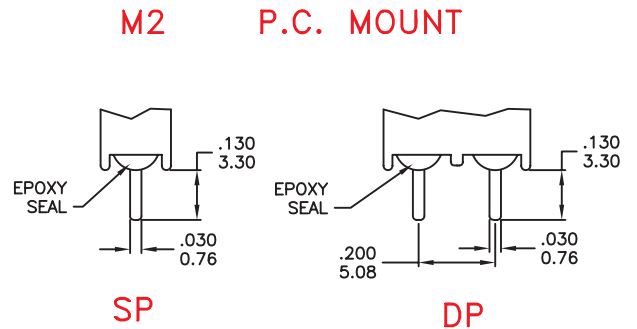
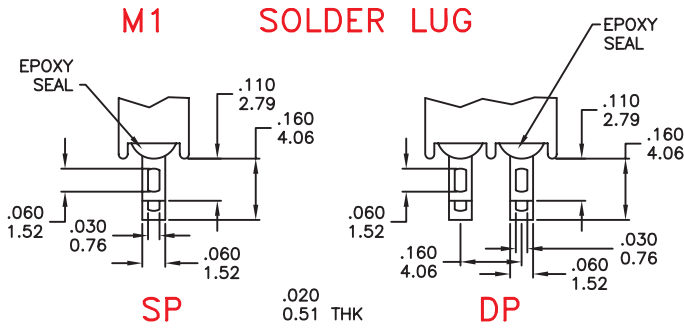
Part No. Shown : 4MD1R12M1QE



ACTUATOR OPTIONS-PANLE MOUNT

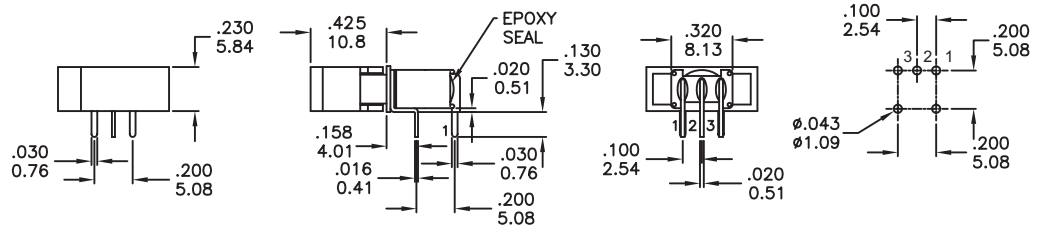


TERMINATION OPTIONS



M6

P.C. MOUNTING

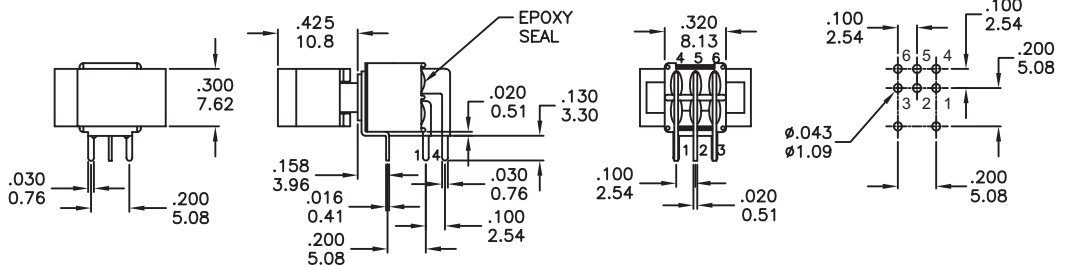
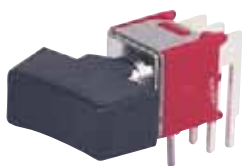


SPDT

Part No. Shown : 4MS1R22M6QE

M6

P.C. MOUNTING



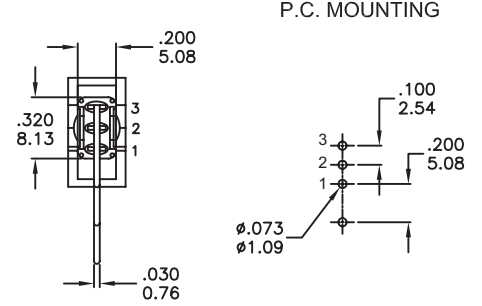
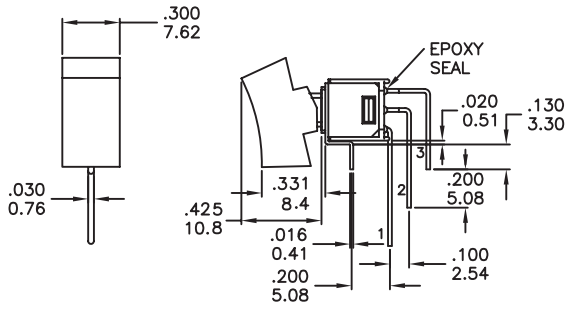
DPDT

Part No. Shown : 4MD1R12M6QE

4M Series

Sub-Miniature Rocker Switches

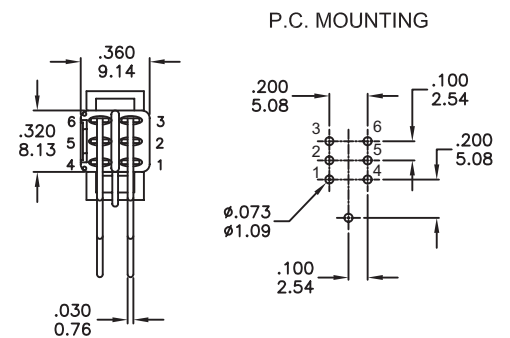
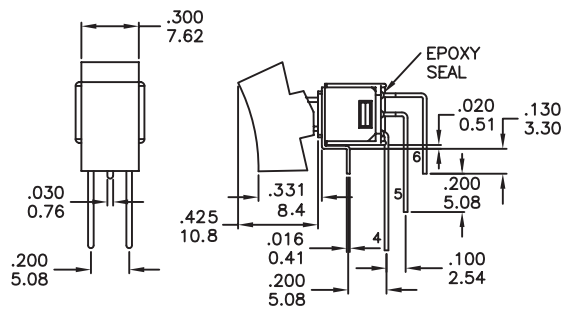
M7



SPDT

Part No. Shown : 4MS1R12M7QE

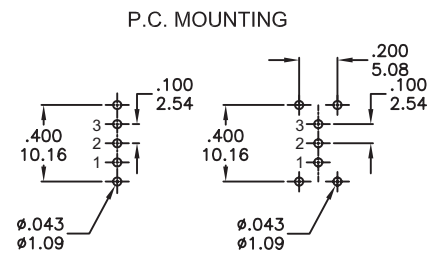
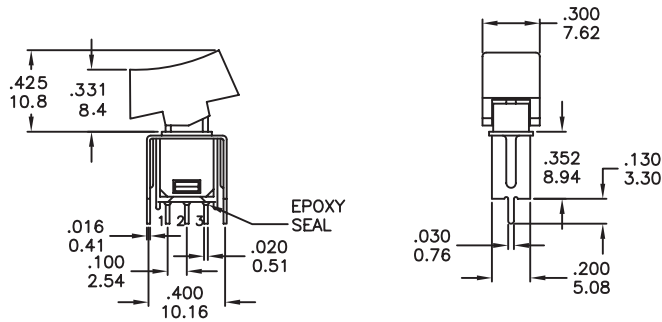
M7



DPDT

Part No. Shown : 4MD1R12M7QE

VS2 - VS3



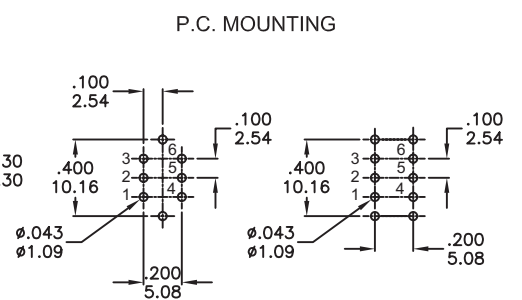
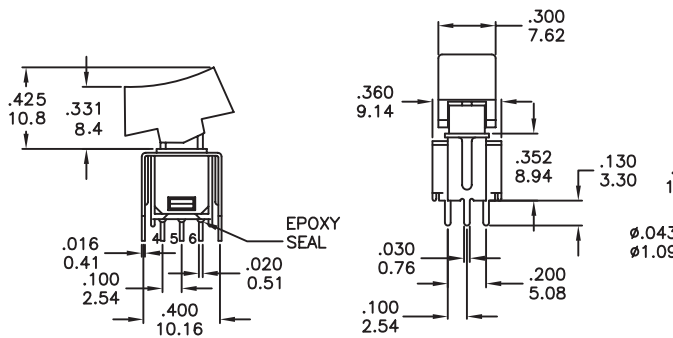
VS2

VS3

SPDT

Part No. Shown : 4MS1R12VS2QE

VS2 - VS3



VS2

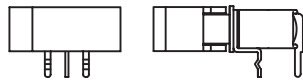
VS3

DPDT

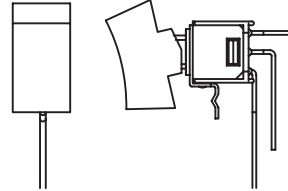
Part No. Shown : 4MS1R12VS2QE

SNAP-IN TERMINATION OPTIONS

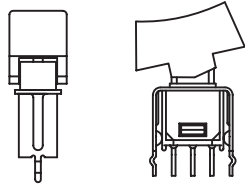
M6N



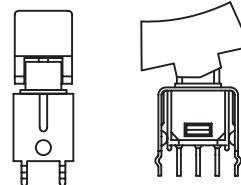
M7N



V2N



V3N



CONTACT MATERIAL OPTIONS

	CONTACT MATERIAL	TERMINATION RATING	RATINGS
Q	Silver	Q = Silver	3 Amps with resistant load @ 120VAC or 28VDC 1 Amps with resistant load @ 250VAC
S		S = Silver,pure - tin	
C	Gold over Silver	C = Gold over silver	
K		K = Gold over silver,pure - tin	
R	Gold	R = Gold	0.4 Volt-Amps(VA)max. @ 20V max. (AC or DC)
G		G = Gold,pure - tin	